



Download the Installation Guide:
 EU-W: English, Deutsch, Español,
 Français, Italiano, Nederlands, Português
 EU N: Svenska, Dansk, Norsk
 EU E: Polski, Čeština, Magyar, Русский, Türkçe

► www.mt.com/ind-SWB805-downloads

Before You Begin

1»

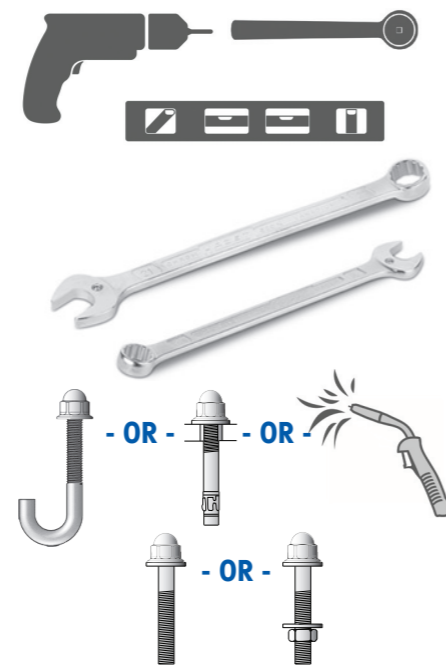


Protect the surfaces when mounting fasteners.

1

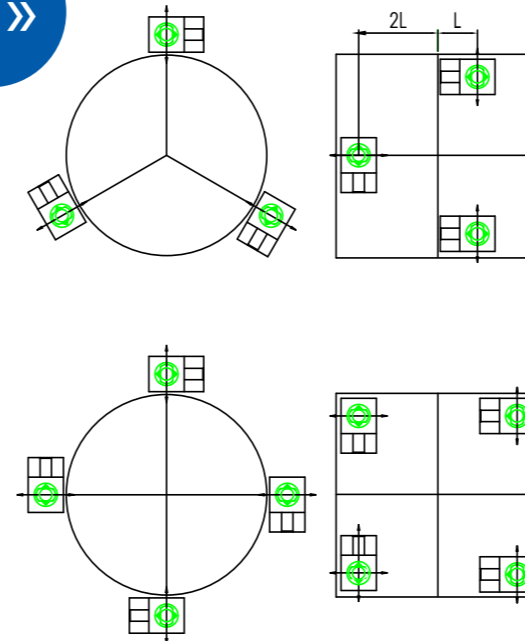


2 Tools You Need:

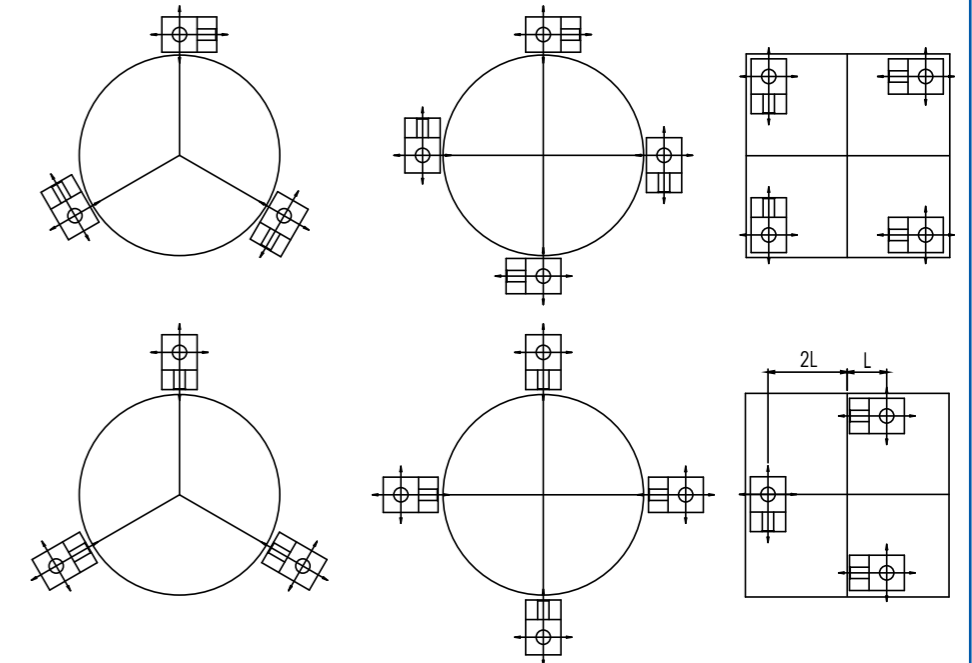


2»

Plan Your Layout



Sample Orientations
With Optional Stabilizers



Sample Orientations
Without Stabilizers

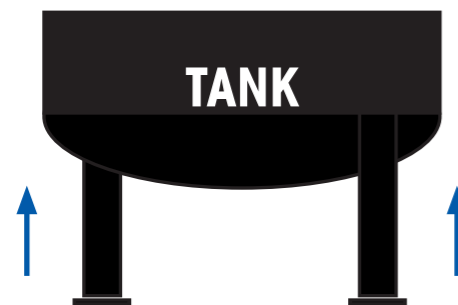
Position the Weigh Modules

3»



Block the tank when in raised position.

1 Lift tank



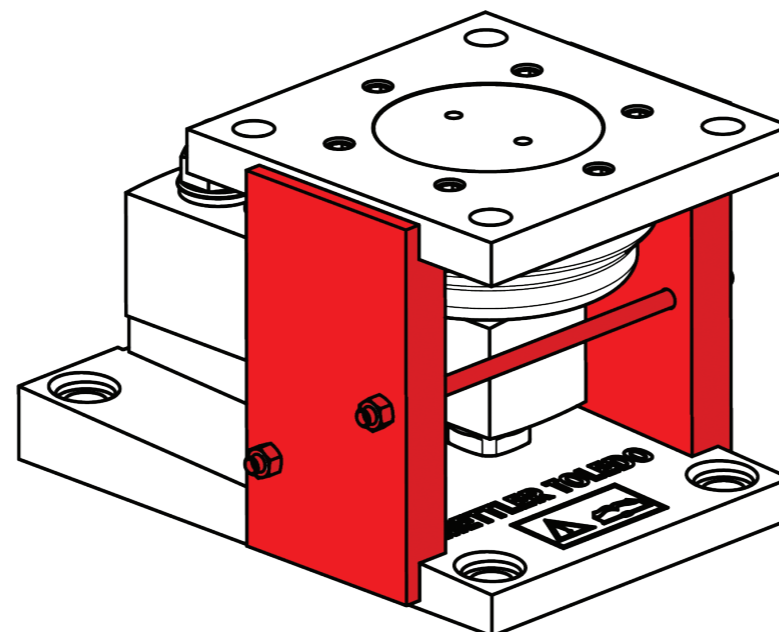
2 Position weigh modules under tank legs according to your layout

Make Sure Locking Plates are Installed

4»

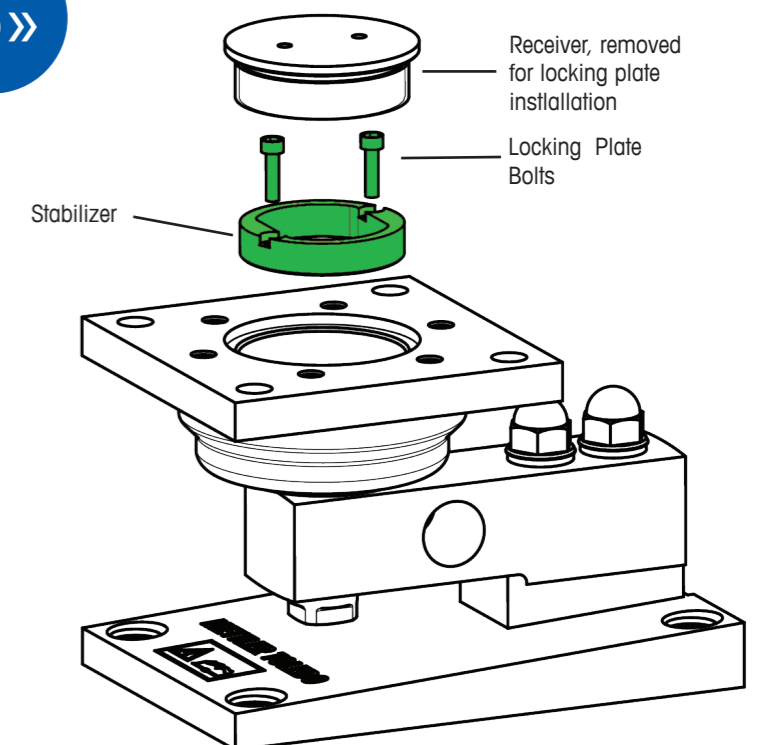


During installation, each weigh module must be equipped with a pair of locking plates.



5»

Mounting Optional Stabilizer



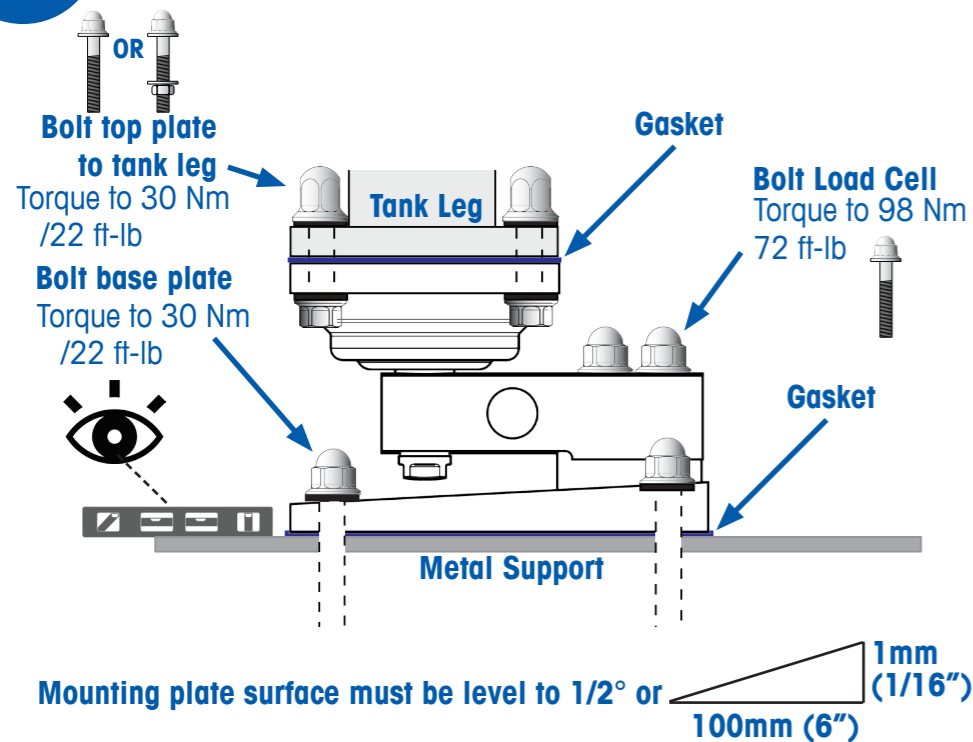


Download the Installation Guide:
 EU-W: English, Deutsch, Español,
 Français, Italiano, Nederlands, Português
 EU N: Svenska, Dansk, Norsk
 EU E: Polski, Čeština, Magyar, Русский, Türkçe
www.mt.com/ind-SWB805-downloads

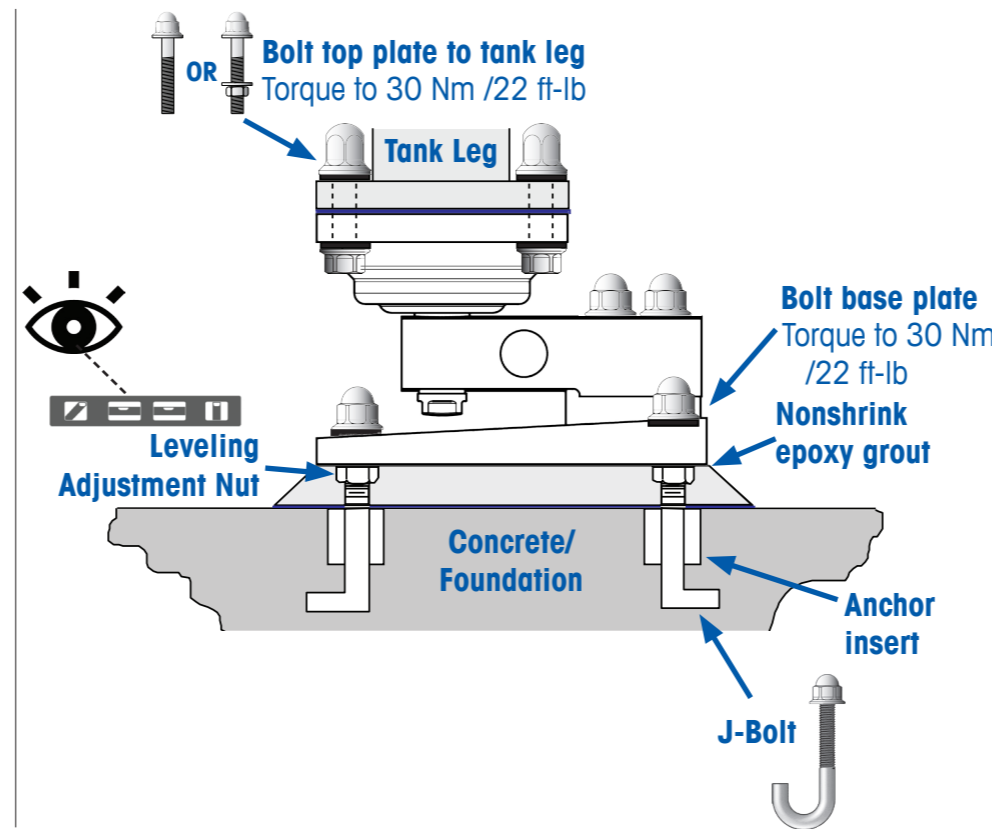
Options for Securing the Weigh Modules

6»

BOLT the weigh module:



- OR - LEVEL AND GROUT the weigh module:



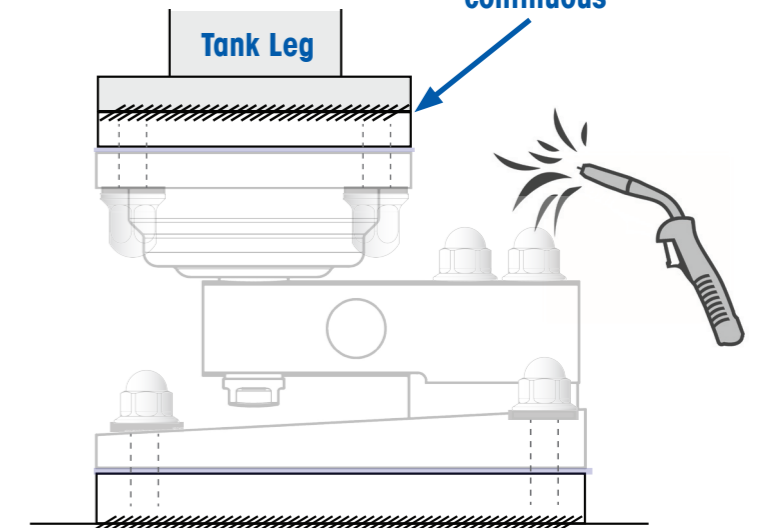
- OR -



- Remove weigh module before welding.
- Ground wire of welder must be as close to the weld seam as possible to ensure proper grounding.

Contact authorized METTLER TOLEDO technician for proper removal and re-installation of load cells.

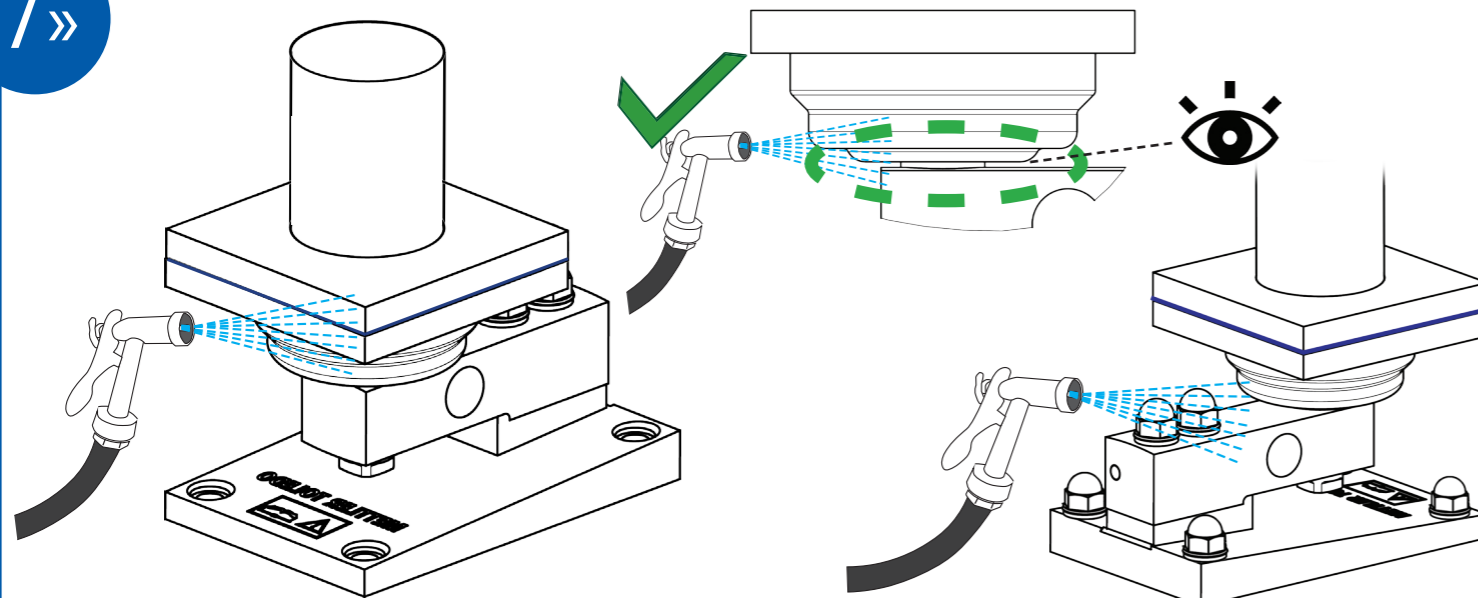
Weld: 9mm (3/8"), continuous



All weigh modules must be in the same plane within 3mm (1/8")

Cleaning Guide

7»



Installation Tips and Precautions:

- Never cut the load cell's cable or extend its length.
- Inspect gaskets monthly.
- Avoid moisture and dust.
- Ensure voltage stability – use a regulated power supply.
- Avoid overload and shock.
- Ensure good grounding.
- For hazardous area installations in Europe, refer to enclosed instructions (30104376 / 175389R).

Note:

May be covered by one or more patent(s): visit www.mt.com/patentmarking



Contact authorized METTLER TOLEDO service technician to activate the weigh modules for startup and calibration.

Contact Information:

www.mt.com/contact

© 2017 Mettler-Toledo GmbH, Switzerland
 01/2017 | 30382775A